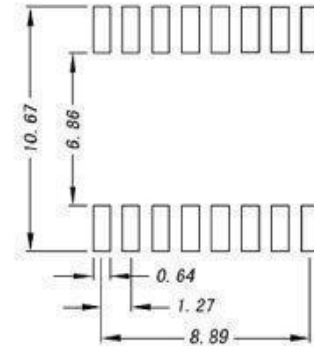
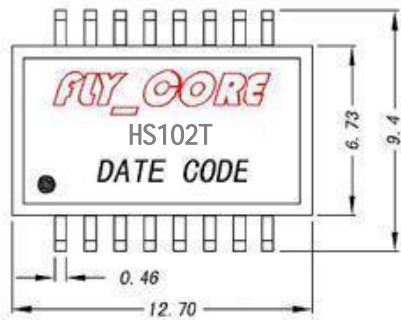
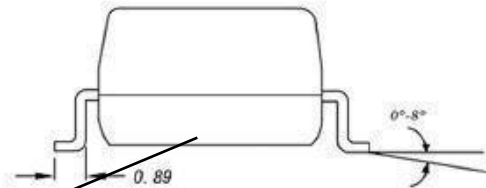
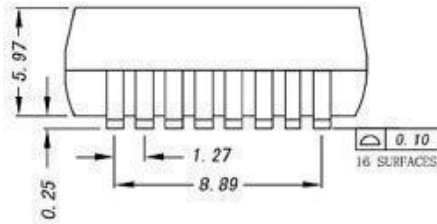


Mechanical:

REV.	ECN NO.	DESCRIPTION	DATE	APPD
A	REL		27/07/2007	



SUGGESTED PAD LAYOUT



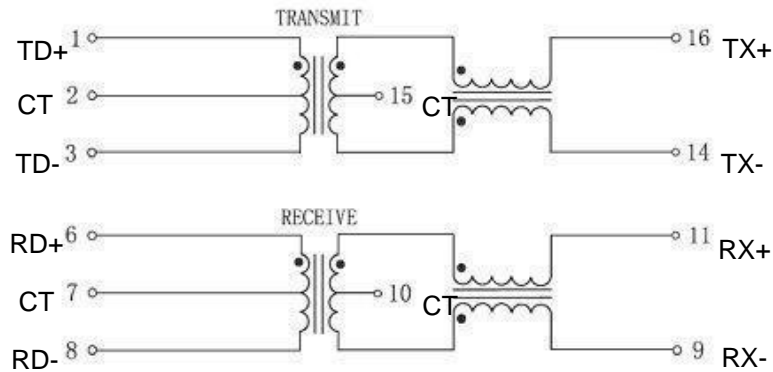
底部采用裸露不封底技术，防止高温贴片爆裂危险

- NOTES: 1. Designed to support application, such as SOHO (ADSL modems), LAN-on-Motherboard (LOM), hub and Switches.
 2. With various Turns Ratios.
 3. 350uH min OCL with 8mA bias current.
 4. ROHS "NLE" peak solder rating 235°C.

X:X	±0.20	APPD:	上海飞芯电子有限公司 <i>Title: 10/100Base-T Single Port Transformer Modules</i> PART NO.: HS102T	
X:XX	±0.10	CHKD: Miles		
X:XXX	±0.05	DR:		
ANGLES	±1°	UNIT: mm		
SCALE: 2/1		SHEET: 1/2	REV: A	DRG NO.:

Schematic:

REV.	ECN NO.	DESCRIPTION	DATE	APPD
A	REL		27/07/2007	



Electrical Specification@25°C:

- Turns Ratio:TX=1:1 RX=1:1
- Insertion Loss:
0.1-100MHZ:-1.0dB max
- Return Loss:30MHZ:-20dB 60MHZ:-14dB
80MHZ:-12dB
- Crosstalk:30MHZ:-45dB 60MHZ:-40dB
100MHZ:-35dB
- DCMR: 30MHZ:-42dB 50MHZ:-37dB
100MHZ:-32dB
- Isolation Voltage:1500V
- Operating Temperature:-40~+85°C

成都浩然电子有限公司

电话 : 028-86127089 0755-86066647
网址 : <http://www.hschip.com>



微信公众号



手机淘宝商城

X:X	±0.20	APPD:	上海飞芯电子有限公司	
X:XX	±0.10	CHKD: Miles		
X:XXX	±0.05	DR:		
ANGLES: ±1°		UNIT: mm	Title: 10/100Base-T Single Port Transformer Modules	
			PART NO.: HS102T	
	SCALE: 2/1	SHEET: 1/2	REV: A	DWG NO.: